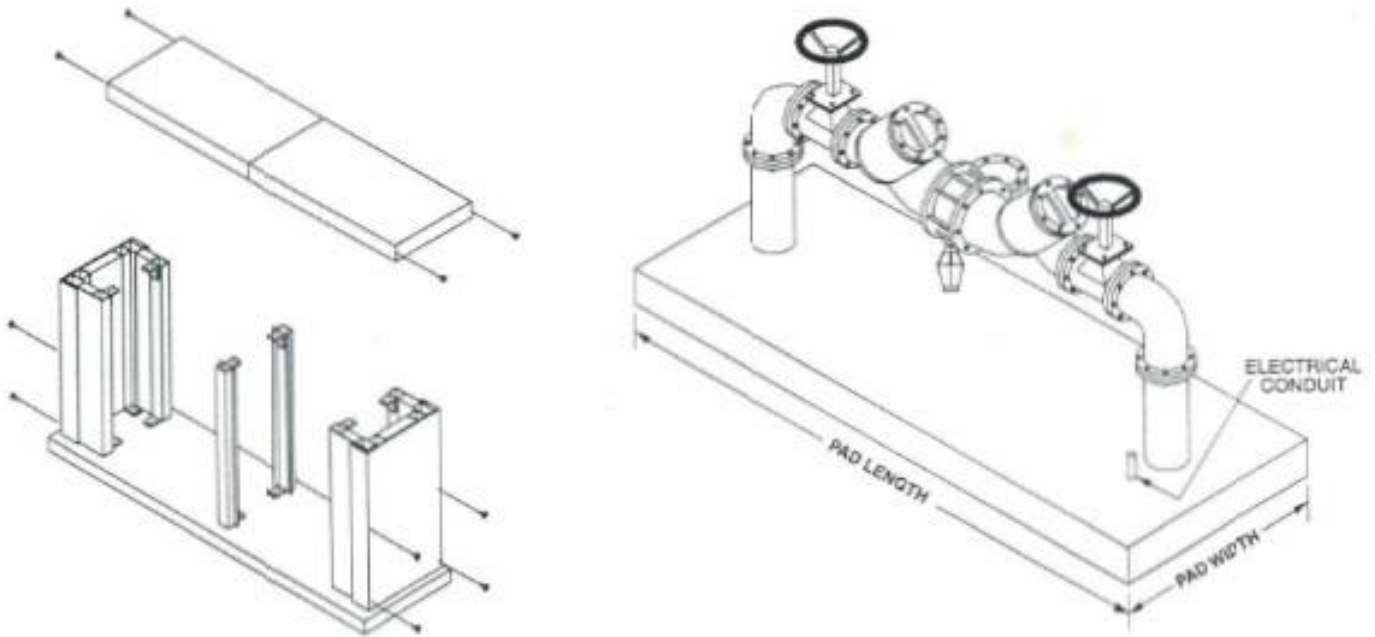


AquaSHIELD®

PROTECTIVE ENCLOSURES

MOUNTING PAD PREPARATION SERIES: BFP10



MODEL NUMBER	ENCLOSURE DESCRIPTION	INSIDE DIMENSIONS	OUTSIDE DIMENSIONS	CONCRETE PAD DIMENSIONS	SHIPPING WEIGHT
BFP10-N	4 DOOR PANEL	142"L 40"W 80"H	145"L 43"W 82"H	157"L 55"W 6"T	525#
BFP10-NS	4 DOOR PANEL	172"L 40"W 80"H	175"L 43"W 82"H	187"L 55"W 6"T	620#
BFP10-O	4 DOOR PANEL	142"L 40W 90"H	145"L 43"W 92"H	157"L 55"W 6"T	575#
BFP10-OS	4 DOOR PANEL	172" L 40"W 90"H	175"L 43"W 92"H	187"L 55"W 6"T	695#

1. Using the chart above, provide a concrete pad 6" thick centered around the BFP device.
 - A. Provide expansion material around the BFP risers.
 - B. Place GFI receptacle in pad if heat is required, before concrete is poured.
 - C. Finish concrete level and smooth. Allow concrete to cure before setting enclosure.
 - D. Electrical power source must comply with all local and national codes.